




C-IED LL & WORKSHOP | DEC 2014 | NATO C-IED CoE, Madrid

PORTUGUESE ARMY



EXÉRCITO



**PORTUGUESE
COLONIAL WAR 1961-1974
FINDINGS FROM 13 YEARS OF
COUNTER INSURGENCY**



PORTUGUESE COLONIAL WAR 1961-1974

THE SETTING | TIME AND SPACE

- **1926 – Military Coup leads to ESTADO NOVO**
- **1939-45 – II WW**
- **June 1945 – San Francisco Conference – UN Charter**

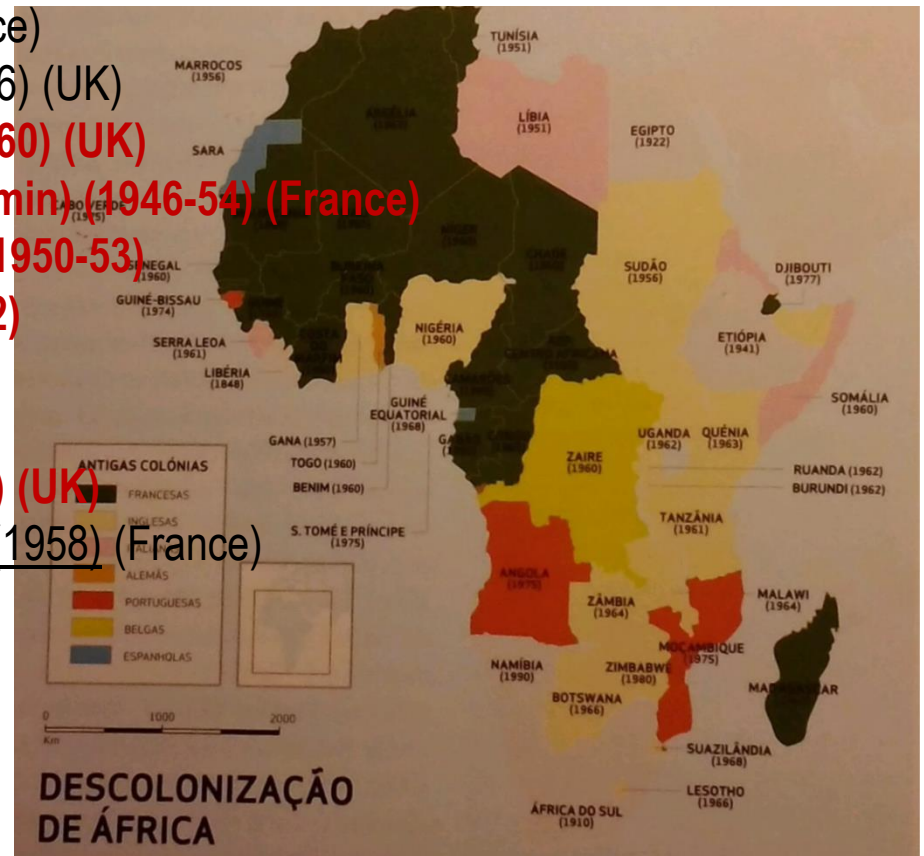
Raising of Nationalist and Independence Movements: End of Colonial Era



PORTUGUESE COLONIAL WAR 1961-1974

THE SETTING | TIME AND SPACE

- Syria and Lebanon (1945) (France)
- Transjordan (inc. Palestine) (1946) (UK)
- **Sublevation in Malaysia (1948-60) (UK)**
- **Sublevation of Indochina (Vietmin) (1946-54) (France)**
- **Vietnam (1955-75) and Korea (1950-53)**
- **Sublevation of Algeria (1954-62)**
- Paquistan and India (1947) (UK)
- Ghana (1957) (UK)
- **Sublevation in Kenya (1954-62) (UK)**
- Marroco, Tunisia, French Ginea (1958) (France)
- Senegal (1960) (France)
- Somali (1960) (Italy)
- Belgian Congo (1960) (Belgium)
- Tanzania (1961) (Germany)
- Zambia (1964) (UK)



PORTUGUESE COLONIAL WAR 1961-1974

THE SETTING | TIME AND SPACE

- 1926 – Military Coup leads to ESTADO NOVO
- 1939-45 – II WW
- June 1945 – UN Charter: **End of Colonial Era**
- **1949 – Portugal founding member of NATO**
- **1961 – ANGOLA** uprising smashed ► **COIN**
- **1963 – GUINEA**
- **1964 – MOZAMBIQUE**



PORTUGUESE COLONIAL WAR 1961-1974

THE SETTING | TIME AND SPACE



- Total AoO: 2.082.205 km²
- Troops: 150.000 (1974)
- Algeria AoO: 300.000 km²
- French troops: 500.000
- Vietnam AoO: 769.000 km²
- US troops: 530.000



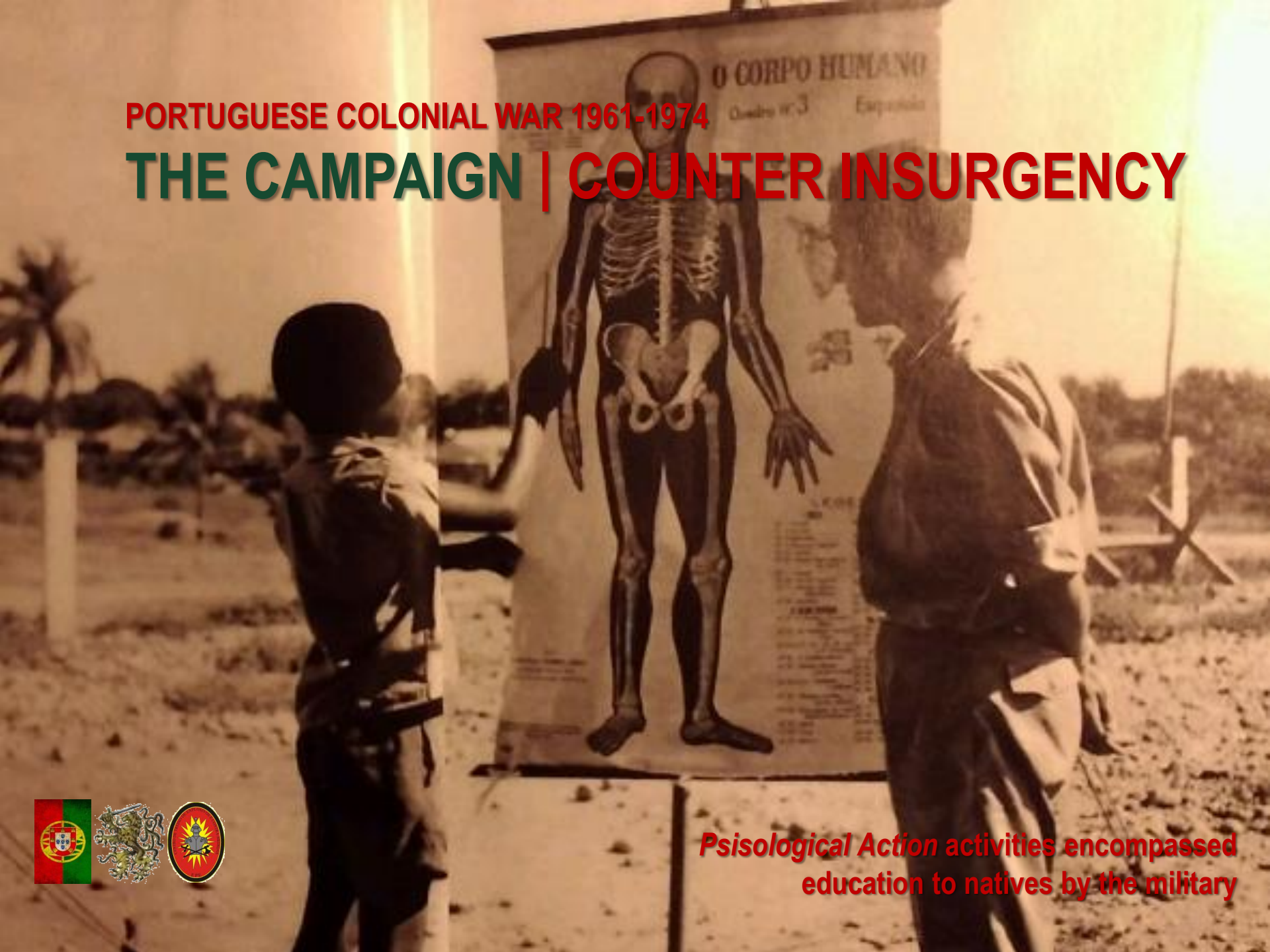
PORTUGUESE COLONIAL WAR 1961-1974

THE SETTING | TIME AND SPACE



PORTUGUESE COLONIAL WAR 1961-1974

THE CAMPAIGN | COUNTER INSURGENCY



Psisological Action activities encompassed education to natives by the military

PORTUGUESE COLONIAL WAR 1961-1974

THE WAR | COUNTER INSURGENCY

- **1961 – Sublevation in the North of ANGOLA**
 - **Low sovereign administrative, educational, medical, judicial and law enforcement services outside urban areas**
 - **Exploitation of natives by economic/european masters**
 - **Self determination and independence in the neighbouring nations**
 - **Support from foreign nations (soviet block aligned)**



PORTUGUESE COLONIAL WAR 1961-1974

THE CAMPAIGN | COUNTER INSURGENCY

- 1961 – Sublevation smashed quickly with heavy military strength
- End 1961 – Presence of Army Forces in all territory (*quadrillage*) of North Angola IOT:
 - Disrupt insurgency activities/Destroy guerrilla
 - Maintain Security through patrolling and escorts
 - *Psicological Action* (winning hearts and minds)
 - Protection of Stategic Infrastructure/Economy



PORTUGUESE COLONIAL WAR 1961-1974

THE CAMPAIGN | COUNTER INSURGENCY

- 1962 – Insurgency withdraws to remote areas, close to borders of neighbouring countries **or**
- Dessiminates among native population
- Main actions (in order of prevalence):
 - Placement of Mines and Explosive Devices
 - Ambush on Convoys (usually protected by Mines and Explosive Devices)
 - Raids on Army positions (direct and indirect fires)
 - Defense safe havens



PORTUGUESE COLONIAL WAR 1961-1974

THE CAMPAIGN | COUNTER INSURGENCY

- 1963 – Guinea
- 1964 – Mozambique

- By 1974 there were 8.000 KIA
- 50% due to **Mines and Explosive Devices**
- Estimates of around 20.000 WIA
- At least 2.000 amputated or lost ability to walk



PORTUGUESE COLONIAL WAR 1961-1974

THE THREAT | MINES AND IED

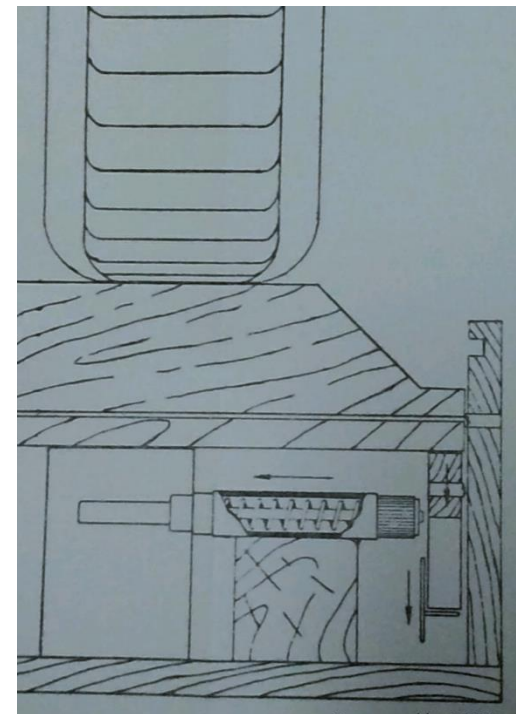
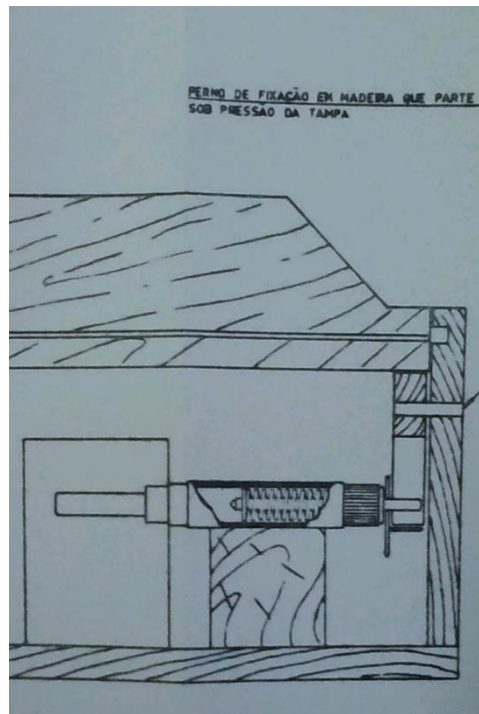
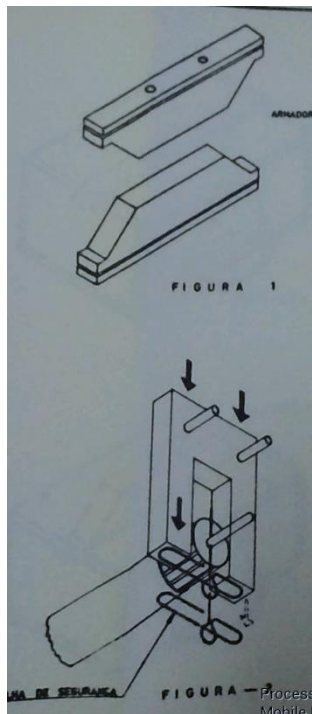
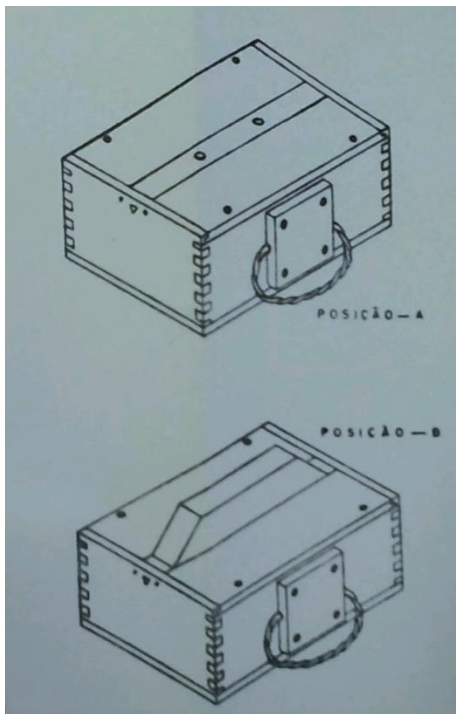


The terrain was (and still is) one of the biggest challenges to Counter Mines and Explosive Devices in Africa

PORTUGUESE COLONIAL WAR 1961-1974

THE THREAT | MINES AND IED

- **Mina S47/53 (?): Technical assessment of captured Improvised Mine in Angola in 28Nov1965**



PO
TI



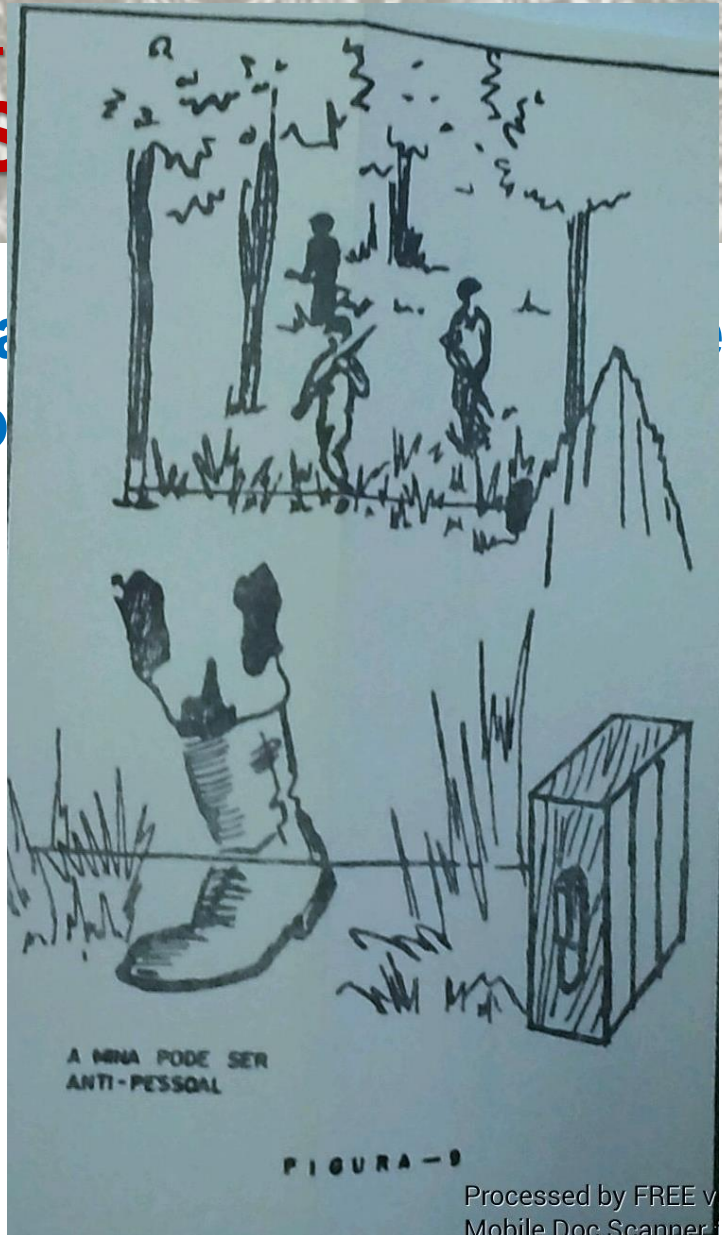
A MINA PODE SER
COMANDADA A DISTÂNCIA

FIGURA - 6

Processed by FREE version
Mobile Doc Scanner from u

1-
S

ca
jo



A MINA PODE SER
ANTI-PESSOAL

FIGURA - 8

Processed by FREE v
Mobile Doc Scanner



VOIED

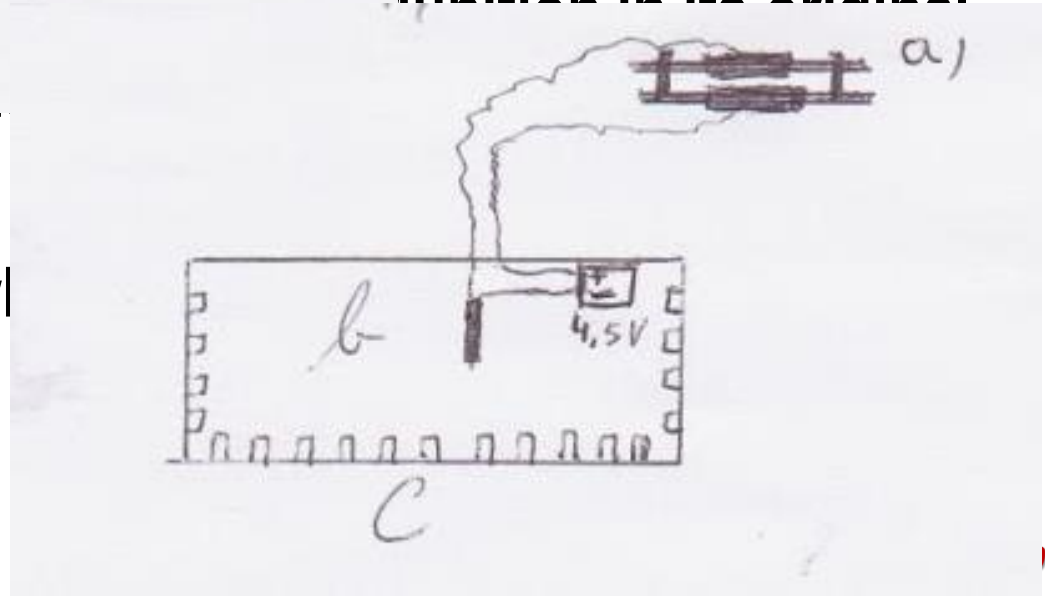
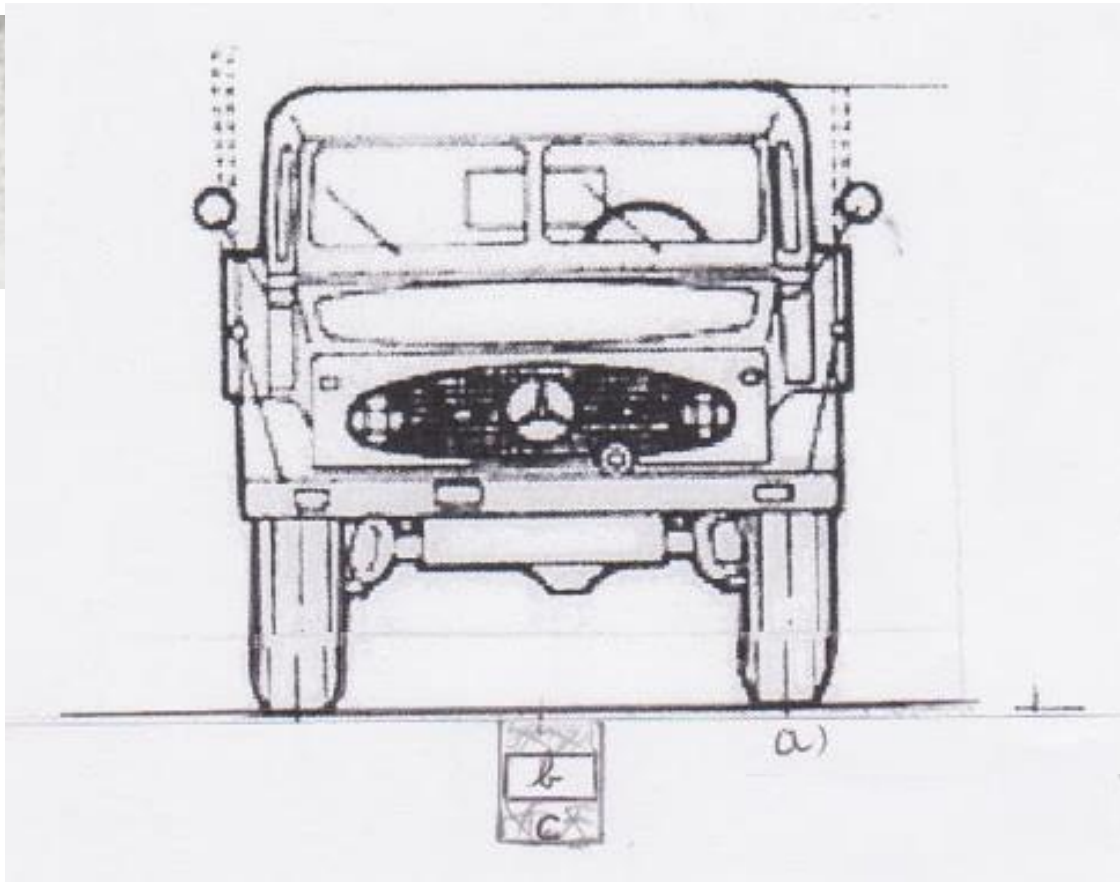
ap (VOIED?)

tion (20kg pressure)

uild plate conductors

l detonator N°8

lution in its original



- Used as CW w/ vegetation



PORTUGUESE COLONIAL WAR 1961-1974

THE THREAT | MINES AND IED

➤ Evolution of TTP

- Probing with long/short mettalic probes
- Improvised initiation system with two sheets of thin aluminium foil + battery + electrical detonator
- Probing with wooden sticks/ ivory attachments to mettalic probes
- CW + battery + electrical detonator
- “*Mine Blasting*” heavy vehicles
- Reel system for targeting 2nd/3rd vehicles of convoy



PORTUGUESE COLONIAL WAR 1961-1974

ACTION | COUNTERING MINES/IED



Improvised Mine Blasting heavy vehicle, used in front of the convoys "clear the way"

PORT
AC

APRESENTA-TE

ES/IED

e informa onde os
guerrilheiros têm as
suas armas

➤ Int

■

■

■

■

➤ PID

■



erial
er Intel

SYOPS/HUMINT?

Intel Air Power Spt?

/infrastructure CIMIC?

and linkages
getting



PORTUGUESE COLONIAL WAR 1961-1974

ACTION | COUNTERING MINES/IED



and sign

hotspots?

detectors

by in situ







PORTUGUESE COLONIAL WAR 1961-1974

ACTION | COUNTERING MINES/IED

➤ Cbt Engineers: Defeat the Device?

- 1966-1989 South African evolution for Namibia war



PORTUGUESE COLONIAL WAR 1961-1974

ACTION | COUNTERING MINES/IED

- Instruction (5th Branch): **Prepare the Force?**

Provisional Instructions for Handling of Explosive Devices

Published by the Army HQ in 1960



PORTUGUESE COLONIAL WAR 1961-1974

ACTION | COUNTERING MINES/IED

Provisional Instructions for Handling of Explosive Devices (1960)

- **Part I: General notions about Explosive Devices**
 - Definition of Explosive Device (explosive, incendiary or toxic)
 - Components: Initiation action (types of), Initiation device (pyrotechnic or electrical), Fire Chain, Main charge.
 - Tactical Effects



PORTUGUESE COLONIAL WAR 1961-1974

ACTION | COUNTERING MINES/IED

- Typical emplacement and camouflage
- Concerns over repeatability of patterns
- TTP
 - ❖ Non-survailed area/road are to be considered dangerous
 - ❖ Collection and fast dissemination of information
 - ❖ Avoid roadside berms (avoid leaving trail tracks)
 - ❖ Use of specialist Search teams and Route check
 - ❖ Standoff distance from Obstacles: 200m
 - ❖ Special attention to sharp curbs and crossroads



PORTUGUESE COLONIAL WAR 1961-1974

ACTION | COUNTERING MINES/IED

- Toxic devices (combination with CHEM agents)
- Incendiary devices (notions of HME)
- Ground sign awareness
 - ❖ Change of terrain patterns or disturbed earth
 - ❖ Unusual patterns in the nature
 - ❖ Distinguishable color marks among vegetation
 - ❖ **Tracks driving into unusual areas**
 - ❖ One finding doesn't conclude the area is clear
 - ❖ Hoax signs



PORTUGUESE COLONIAL WAR 1961-1974

ACTION | COUNTERING MINES/IED

- **After findings TTP**
 - ❖ Never move or interact with suspect finding (CONFIRM)
 - ❖ Mark and withdraw to safety (50m minimum standoff) (CLEAR)
 - ❖ Call for authorities/specialist support (CALL)
 - ❖ Report accurately the finding

- **Authorities/Specialist general TTP**
 - ❖ Interrogation (checklist/interrogation report)
 - ❖ Immediate mitigation measures (CORDON/CONTROL)
 - ❖ Finding Report
 - ❖ According to the interrogation – prioritization



PORTUGUESE COLONIAL WAR 1961-1974

CONCLUSION | OBSERVATIONS



PORTUGUESE COLONIAL WAR 1961-1974

CONCLUSION | OBSERVATIONS

- **TTP vs Terrain (jungle, tropical forest setting)**
- **Heavy Armoured FP and RC Packages vs Terrain**
- **Air Mobility vs Heavy Land Presence**
(standoff from population)
- **C-IED vs COIN vs Nation Capability Building**
(military vs law enforcement vs cross agency engagement)
- **AtN vs Strategic level engagement**



PORTUGUESE COLONIAL WAR 1961-1974

CONCLUSION | OBSERVATIONS

“There are dead and wounded,
And the most beaten (screwed),
It’s always us.
We blow up to the air,
Screaming for all,
Even for our grandparents.
Oh, tribal *Turra*,
You are not a great *fadista*,
Turning into tradition,
Becoming parachuter
Without the course?
That, no way!”

“O *Turra das Minas*”
Cancioneiro do Niassa



QUESTIONS?

**PORTUGUESE
COLONIAL WAR 1961-1974
FINDINGS FROM 13 YEARS OF
COUNTER INSURGENCY**





ENGINEER REGIMENT No1

CONTACTS

EXPLOSIVE WARFARE E&T CENTER (CTEC) | EOD COY

epe.gregeod@mail.exercito.pt

epe.ctec@mail.exercito.pt

[**basto.jppof@mail.exercito.pt**](mailto:basto.jppof@mail.exercito.pt)

[**marques.jar@mail.exercito.pt**](mailto:marques.jar@mail.exercito.pt)

+351 249 730 800

+351 916 130 273

Tancos, Portugal

EXPLOSIVES | SAPPERS | C-IED | EOD | DEMOLITIONS